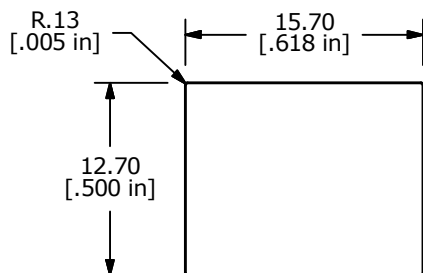
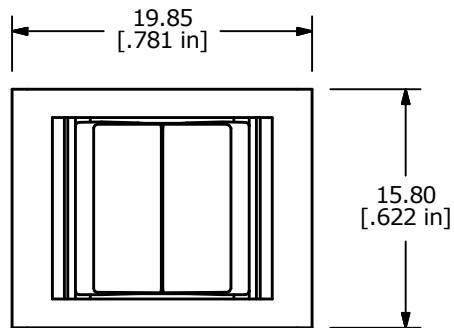


SWITCH FUNCTION		
POS. 1	POS. 2	POS. 3
ON	OFF	ON
2-3	OPEN	2-1

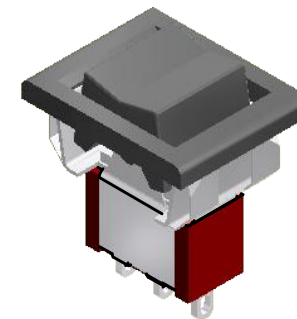


RECOMMENDED PANEL MOUNTING

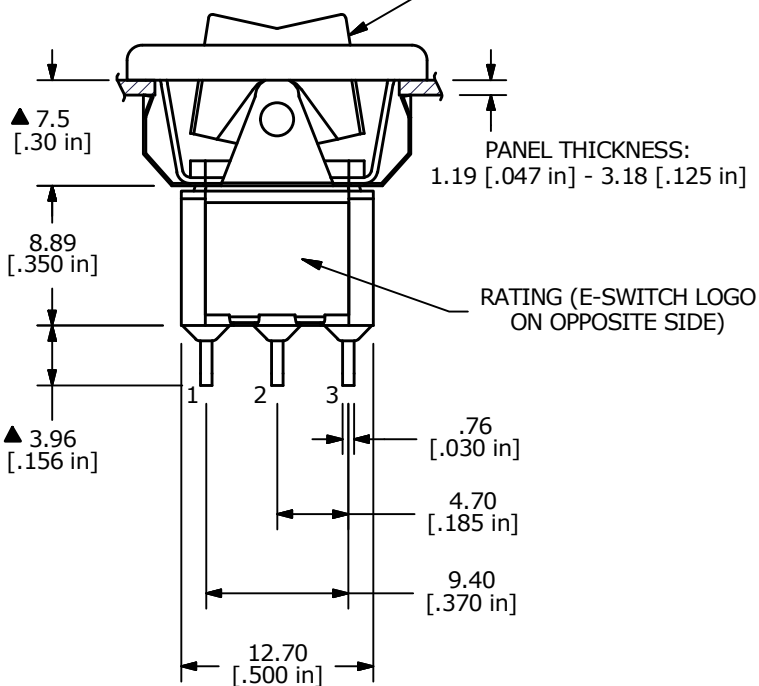
- NOTE:
- ALL DIMENSIONS IN MM [INCH]
  - GENERAL TOLERANCE: X.X=±0.4  
X.XX=±0.25
  - TERMINAL NUMBERS FOR REF ONLY
  - ▲ PLATING MATERIAL: GOLD
  - RATING: 0.4 VA MAX. @20V MAX. AC OR DC
  - CONTACT RESISTANCE: 10 mΩ max. initial @ 2-4 VDC
  - ELECTRIC LIFE: 40,000 make-and-break cycles at full load.
  - INSULATION RESISTANCE: 1,000 MΩ min.
  - DIELECTRIC STRENGTH: 1,000 V RMS @sea level.
  - OPERATING TEMP.: -30°C to 85°C
  - ▲ DENOTES CRITICAL PARAMETER.
  - 2011/65/EU (ROHS) COMPLIANT



FRAME COLOR  
BLACK

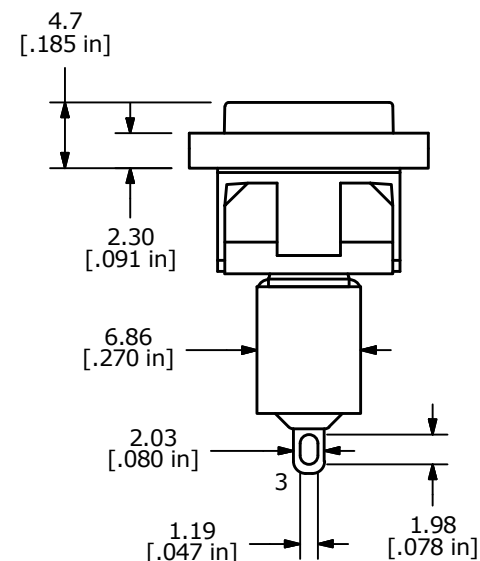


ACTUATOR COLOR  
BLACK



RATING (E-SWITCH LOGO  
ON OPPOSITE SIDE)

PANEL THICKNESS:  
1.19 [.047 in] - 3.18 [.125 in]



A	22539	NEW RELEASE	10/13/16	MJR
REV	PCR NO	DESCRIPTION	DATE	BY

TITLE 300SP3R6BLKM1REBLK				
SCALE 2:1	DATE 10/13/2016	DR MJR	DWG T311102	REV A

THE INFORMATION CONTAINED IN THIS DOCUMENT IS PROPRIETARY TO E-SWITCH AND IS NOT TO BE COPIED OR TRANSFERRED